



BUTLERIB® II WALL SYSTEM

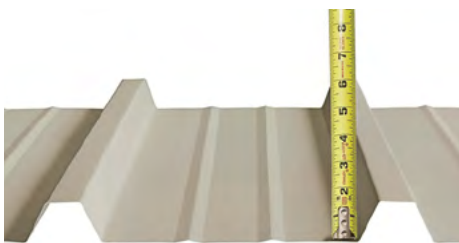
Create the look and performance you want with outstanding affordability.

With an attractive combination of aesthetics, performance, and affordability, the Butlerib® II wall system remains an extremely popular choice for virtually any type of building application. The Butlerib II system can be used either alone or incorporated with other materials such as brick, EIFS, and other Butler® metal wall systems for unlimited design freedom.

Choose the Butlerib II wall system to add installation speed and long-term performance for your building, whether it's a large-scale warehouse or a small retail center.

ADD BEAUTY AND STRENGTH

Butlerib II wall panels feature a full 1½-inch-deep corrugation for a clean, simple appearance and added strength. The panels are also available in a variety of material thicknesses, enabling you to balance the building's performance requirements with budgetary constraints.



The Butlerib II wall panels feature a 1½" corrugation for additional strength.

ASSURE FAST AND ACCURATE INSTALLATION

Each Butlerib II wall system panel and supporting structure is available factory punched to assure precision and speed in the installation process.



The Butlerib II wall panels are 3 feet wide and up to 40 feet in length, so wall installation can be completed quickly—even on large buildings.



A variety of fastener options can be specified depending upon the project's aesthetic and security needs, including the Butler Scrubolt™ with twice the pull-out strength of industry standard fasteners.

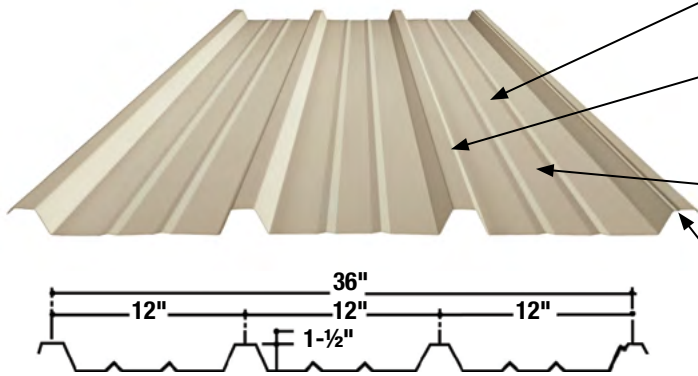
ACHIEVE UNMATCHED DESIGN VERSATILITY

Predesigned and factory-fabricated transition materials allow you to combine Butlerib II panels with a variety of Butler wall systems, conventional materials, doors, and/or windows without extensive field modifications.

ENHANCE THE BEAUTY AND DURABILITY

All Butlerib II wall panels feature the high-quality Butler-Cote™ premium finish. Made with a 70% Kynar 500® or Hylar 5000® resin, this incredibly durable coating resists fading and chalking to remain vibrant for years, unlike typical silicone polyester paints. Many attractive standard color options are also available. The Butler-Cote finish includes a 25-year warranty against chalking and fading.

BUTLERIB® II WALL SYSTEM



26-gauge material

Deep 1½-inch corrugation

Kynar 500® or Hylar 5000® Butler-Cote™ finish system with a 25-year warranty

Sealant groove assures weathertightness

Available factory-punching of panels assures fast and accurate installation

KEY BENEFITS

- ✓ Deep 1½-inch panel corrugations add beauty and strength
- ✓ Available factory punching assures fast and accurate installation
- ✓ A variety of fasteners to meet your aesthetic and security needs
- ✓ Predesigned transition materials coordinate with other building materials
- ✓ Superior-performance Butler-Cote™ finish system (Kynar 500® or Hylar 5000®) adds beauty and protection
- ✓ 24-gauge also available in certain colors

The Butler Scrubolt™ can be specified for panel-to-structural connections vs. industry standard fasteners.



Butler Scrubolt Others



BUTLER OFFERS YOU MORE

Butler Builders provide complete construction services with single-source responsibility

- Reputable professionals with extensive knowledge of local building codes

Maximize your building's performance with a complete Butler® system solution

- Innovative structural, wall, and roof systems
- Precision engineered for seamless integration



Butler Manufacturing
Kansas City, MO
816-968-3000

Butler Buildings Canada
Burlington, ON, Canada
905-332-7786

www.butlermfg.com



Butler® building products are constantly being improved; therefore, the information contained herein is subject to change without notice. Before finalizing project details, contact your nearest Butler Builder® or Butler Manufacturing™ for the latest information. Kynar 500® is a registered trademark of Arkema. Hylar 5000® is a registered trademark of Solvay Solexis. The USGBC logo is a registered trademark owned by the U.S. Green Building Council and is used by permission. IAS is a subsidiary company of the International Code Council. The ENERGY STAR name and the ENERGY STAR symbol are registered trademarks of the United States Environmental Protection Agency.

© 2016 BlueScope Buildings North America, Inc. All rights reserved. Butler Manufacturing™ is a division of BlueScope Buildings North America, Inc. Find your independent Butler Builder® at www.butlerbuilder.com.
Form No. 4263 01/16